

LGX STYLE 2 CASSETTE HOLDER

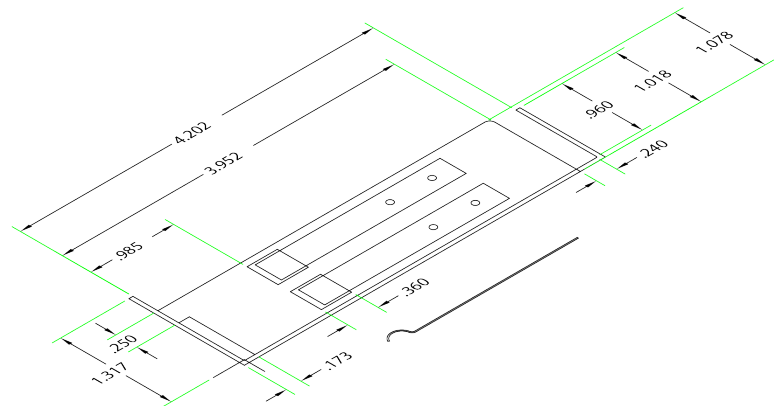
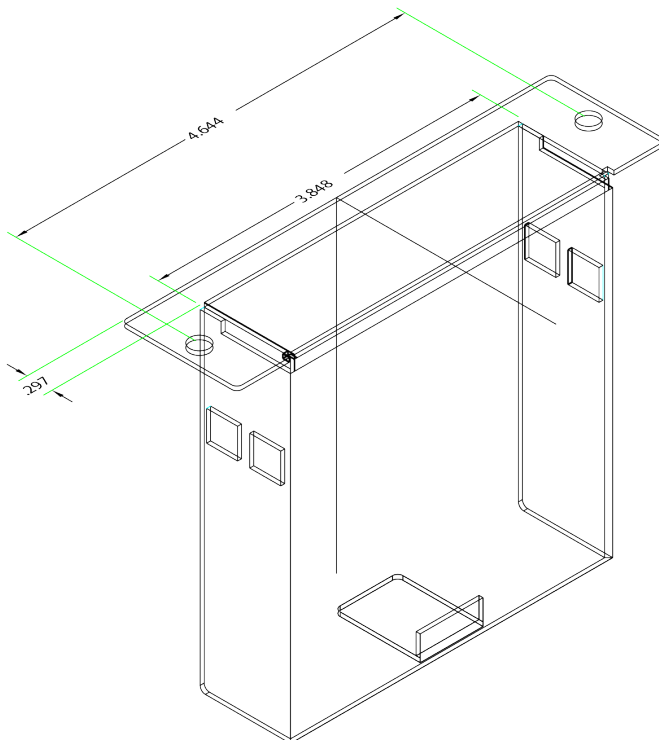


PRODUCT SPECIFICATIONS

- Fits in the 1U 19" Panel that holds (3) LGX 2 Style Cassette Holder

Model Number:

LGXCADP



FIBER CONNECTIVITY SYSTEM

T E C H N I C A L S P E C I F I C A T I O N S

ELEMENT	DESCRIPTION
CASSETTE MATERIAL	METAL
CASSETTE COLOR	Black
CASSETTE HOLDER DIMENSIONS	4.202" L x 3.848" W x 1.317" H
PACKAGE DIMENSIONS	6.375" L x 6.375" W x 2.5" H
CASSETTE HOLDER WEIGHT	5.6 oz.
CASSETTE HOLDER WEIGHT (PACKAGED)	8 oz.
MATERIALS COMPLIANT TO	RoHS



Mark Weinegger
Sales Executive
Office: 508-528-1520

MADE IN THE USA.

